



P.O. Box 330607  
Ft. Worth, TX 76163  
Phone: 817.483.8497  
Fax: 817.572.2242  
www.sinetamer.com

"Power Quality is Our Business"

The SineTamer® LA series of units blends outstanding high-energy "impulse" suppression with unsurpassed "ring-wave" transient protection. This durable device is intended for general purpose and sensitive/critical load applications. The LA-ST240 is typically installed at service entrances up to 2400 amps, distribution and sub-distribution panels. Compact size and non-metallic enclosure design also allow it to be installed directly inside electrical panels and individual equipment disconnects. The internal installation provides the absolute shortest possible lead length and optimum performance. The LA-ST240 is extremely effective in limiting internally generated transients and is an absolute must on panels feeding office locations and/or microprocessor based equipment.

This economical device has features that are not available in devices costing many times its price. Its compact size makes installation a breeze. **Maintenance Free** operation and **20 Year Unlimited Free Replacement Warranty** provide peace of mind. Standard unit is Type 2 10kA UL Nominal Discharge Current; Optional Type 2 20kA  $I_N$  is available.

GENERAL	
<b>Description:</b>	Parallel connected, transient voltage surge suppressor device utilizing both high-energy handling and sine-wave tracking circuitry for virtual elimination of impulse and ring wave type transients. Peak surge current of 240 ka per phase or 80 ka per mode.
<b>Application:</b>	Designed for use at ANSI/IEEE Categories C, B and A with susceptibility up to medium exposure levels. Designed to protect sensitive/critical loads fed from distribution panels, branch panels and/or individual equipment panels.
<b>Warranty:</b>	<b>20 Years Unlimited Free Replacement</b>
<b>Product Qualifications:</b>	<b>ANSI/UL 1449 Fourth Edition by CSA (MC# 259700) &amp; UL – (ML#: E363345); UL1283* and CE Compliant (*Type 2 SPDs only) ISO 9001:2000, ANSI C62.72-2007, IEC 61643-1 Class 2&amp;3</b>

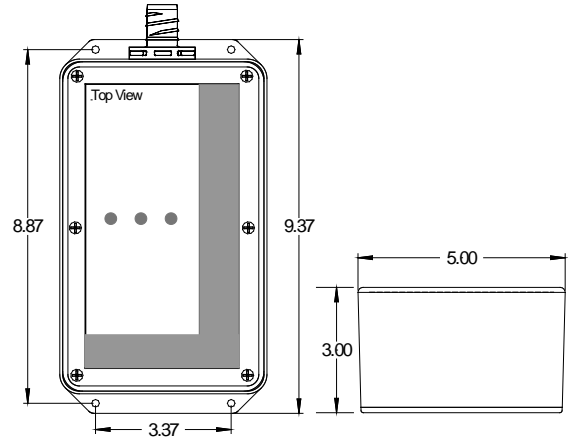
MECHANICAL	
<b>Enclosure:</b>	High strength ABS Plastic, Nema 1 and IP66 rated
<b>Mounting:</b>	1" conduit fitting (internally threaded) and external mounting feet.
<b>Connection Method:</b>	#10 stranded wire.
<b>Shipping Weight:</b>	≈ 6 lbs

ELECTRICAL	
<b>Circuit Design:</b>	Parallel connected, internally fused, hybrid design incorporating discrete all mode protection (10 modes for 3 phase wye units*) and utilizing our encapsulated design to provide improved durability. All suppression circuits are encapsulated in our exclusive compound to assure long component life and complete protection from the environment and/or vibration.
<b>Protection Modes:</b>	Dedicated protection components and circuitry for each mode. Discrete L-N, L-L (Normal Mode), and Discrete L-G, N-G (Common Mode). 10 modes / 3 phase wye system.
<b>Input Power Frequency:</b>	50- 60Hz
<b>EMI/RFI Noise Attenuation:</b>	40dB Max. from 1kHz to 10MHz (normal and common mode)
<b>Options:</b>	LA-STB = Type 2 20kA $I_N$ Type 1 available – contact factory for proper model number.
<b>Circuit Diagnostics:</b>	Super Bright LED, 1 per phase, normally on.
<b>Circuit Interrupt:</b>	External and internal (see installation instructions for details).
<b>Fusing:</b>	Line level and component level thermal cutouts (see installation sheet for full details)
<b>Options:</b>	-V Remove Frequency Attenuation; -S Surge Counter; -C Dry Relay Contacts, Other



Because we are constantly seeking to improve our products, specifications are subject to change at any time.

© 2015 ECS International Inc. Specification Last Changed 01/15 LA-ST240 rev1ltv



### MEASURED LIMITING VOLTAGE PERFORMANCE AND ELECTRICAL SPECIFICATIONS

Model	Circuit Type	MCOV	Peak Surge Current (Amps) Per Mode	Mode	ANSI/IEEE C62.41 & C62.45 Let-Through Voltage Test Results		
					A1 2kV, 67A 100KHz Ring Wave 270° Phase Angle	B3/C1 (6 kV, 3 kA) 90° Phase Angle	C3 20kV, 10kA Impulse Wave 90° Phase Angle
LA-ST2401P1	120V, Single Ø (2 wire + ground)	150 L-N 150 L-G 150 N-G	80,000 L-N 80,000 L-G 80,000 N-G 240,000 Total	L-N L-G N-G	35 60 55	353 361 534	914 1025 1176
LA-ST2401S1	120/240V, Split Ø (3 wire + ground)	300 L-L 150 L-N 150 L-G 150 N-G	80,000 L-L 80,000 L-N 80,000 L-G 80,000 N-G 480,000 Total	L-L L-N L-G N-G	75 35 60 55	554 353 361 534	1119 914 1025 1176
LA-ST2403Y1	120/208V, 3ØY (4 wire + ground)	300 L-L 150 L-N 150 L-G 150 N-G	80,000 L-L 80,000 L-N 80,000 L-G 80,000 N-G 800,000 Total	L-L L-N L-G N-G	55 35 60 55	554 353 361 534	1119 914 1025 1176
LA-ST2401P2	240V, Single Ø (2 wire + ground)	320 L-N 320 L-G 320 N-G	80,000 L-N 80,000 L-G 80,000 N-G 240,000 Total	L-N L-G N-G	60 80 55	523 549 951	1050 1262 1575
LA-ST2403Y2	277/480V, 3ØY 220/380V, 3ØY (4 wire + ground)	550 L-L 320 L-N 320 L-G 320 N-G	80,000 L-L 80,000 L-N 80,000 L-G 80,000 N-G 800,000 Total	L-L L-N L-G N-G	130 60 80 55	763 523 549 951	1344 1050 1262 1575
LA-ST2403N2	240V, 3ØΔ (3 wire + ground)	320 L-L 320 L-G	80,000 L-L 80,000 L-G 480,000 Total	L-L L-G	95	554 495	1262 1262
LA-ST2403N4	380V, 3ØΔ 480V, 3ØΔ (3 wire + ground)	550 L-L 550 L-G	80,000 L-L 80,000 L-G 480,000 Total	L-L L-G	140	763 777	1344 1344

**Let-Through Voltage Test Environment:** Positive Polarity. Time base=1ms. All voltages are peak (±10%). Surge voltages are measured from the insertion point of surge on the sine wave to the peak of the surge. All tests are Dynamic (voltage applied) except N-G which is static (no voltage applied). All tests were performed with 6 inches of lead length outside the device enclosure which simulates actual "as installed" performance.

Single-pulse, surge current capacities of 200,000 amps or less are determined by single-unit testing of all components within each mode. Present industry test equipment limitations require testing of individual components or sub-assemblies within a mode for single-pulse, surge current capacities over 200,000 amps.

Because we are constantly seeking to improve our products, specifications are subject to change at any time.

© 2015 ECS International Inc. Specification Last Changed 01/15 LA-ST240 rev11tv