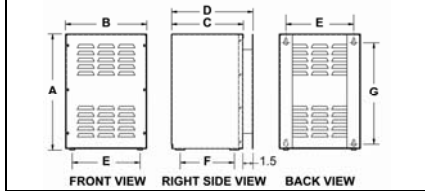


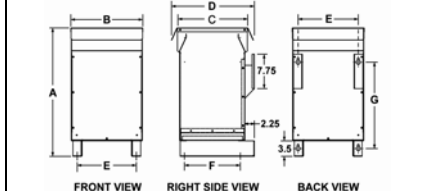
GENERAL SPECIFICATIONS:	
RATING	Available for motor/drive system sizes up to 2000HP / 1450kW
VOLTAGE	Standard voltages up to 690V ^[3]
FREQUENCY	60Hz (50Hz available)
OVERLOAD CAPABILITY	Suitable for overload of 150% for 60 seconds every 10 minutes
HARMONICS TREATED	All harmonics 5 th and higher
K-FACTOR SUITABILITY	Up to 20 (Reduced to <1.5 on input of AUHF)
MAXIMUM CAPACITIVE REACTIVE CURRENT @ N.L.	< 20% of rated input current
INPUT CURRENT DISTORTION	< 8% @ Full Load
EFFICIENCY	> 99%
ELEVATION	≤ 3300ft [1000m] above sea level
VENTILATION	Convection air cooled
WINDING MATERIAL	Copper
ENCLOSURE	Type: NEMA-2 (5 to 40HP) NEMA-3R (50 to 2000HP) Paint: Polyester powder coated Colour: ANSI 61 Grey Wall Mtg Capability: 5 to 200HP
OPTIONS:	NEMA-3R Enhanced Outdoor Ventilated Enclosure

Motor Size		Lineator Rating			Losses	Standard Enclosure		Enhanced Enclosure		
HP	kW	Input Amps			Output	Full Load Watts ^[1]	Case Style	Weight lb [kg] ^[1]	Case Style	Weight lb [kg] ^[1]
		480V 3Ph/60Hz	600V 3Ph/60Hz	690V 3Ph/60Hz	kVA ^[2]					
5	4	7	5	5	7.5	85	ST1	58 [26]	MT1-E	98 [45]
7.5	5.5	10	8	7	11	92	ST1	67 [30]	MT1-E	107 [49]
10	7.5	13	10	9	14	120	ST1	78 [35]	MT1-E	118 [54]
15	11	19	15	13	20	150	ST1	90 [41]	MT1-E	130 [59]
20	15	25	20	17	27	190	ST2	118 [54]	MT1-E	156 [71]
25	18.5	32	25	22	34	235	ST2	130 [59]	MT1-E	168 [76]
30	22	38	30	26	40	260	ST2	142 [65]	MT1-E	180 [82]
40	30	50	40	35	51	290	ST2	154 [70]	MT1-E	192 [87]
50	37.5	63	50	44	63	320	MT1	186 [84]	MT2-E	244 [111]
60	45	75	60	52	75	400	MT1	218 [99]	MT2-E	276 [126]
75	55	88	70	61	93	490	MT2	304 [138]	MT3-E	378 [172]
100	75	113	90	79	118	550	MT2	323 [147]	MT3-E	397 [181]
125	90	144	115	100	145	560	MT2	345 [156]	MT3-E	419 [191]
150	110	170	135	118	175	600	MT2	400 [181]	MT3-E	474 [215]
200	150	225	180	157	220	675	MT2	415 [189]	MT3-E	489 [222]
250	185	282	225	195	275	745	MT3	578 [262]	MT4-E	640 [290]
300	200	340	270	235	330	850	MT3	585 [266]	MT4-E	695 [316]
350	250	397	320	275	385	1040	MT4	800 [363]	LT1-E	1006 [456]
400	315	453	365	315	440	1250	MT4	825 [374]	LT1-E	1031 [467]
500	400	565	455	390	550	1600	MT4	915 [415]	LT1-E	1121 [508]
600	450	695	560	480	660	2080	LT1	1098 [499]	LT1-E	1176 [535]
700	500	800	640	555	770	2575	LT1	1700 [771]	LT2-E	1839 [834]
800	560	910	730	630	880	2970	LT2	1882 [854]	LT2-E	1954 [886]
900	630	1018	815	705	990	3350	LT2	1920 [871]	LT3-E	2054 [931]
1000	710	1130	905	785	1100	3675	LT2	1950 [884]	LT3-E	2084 [945]
1100	800	1260	1015	870	1210	3960	LT3	2465 [1118]	LT3-E	2564 [1163]
1200	900	1390	1120	960	1320	4320	LT3	2568 [1167]	LT3-E	2958 [1245]
1300	970	1495	1200	1030	1430	4675	LT3	2718 [1236]	HT2-E	3408 [1549]
1400	1000	1600	1280	1100	1540	4900	LT3	2858 [1299]	HT2-E	3548 [1613]
1500	1120	1710	1370	1175	1650	5250	HT2	3598 [1635]	HT2-E	3690 [1677]
1600	1200	1820	1460	1250	1760	5750	HT2	3748 [1703]	HT2-E	3840 [1745]
1800	1350	2035	1630	1400	1980	5900	HT2	3848 [1749]	Consult Factory	
2000	1450	2260	1810	1550	2200	6500	HT2	3978 [1808]	Consult Factory	

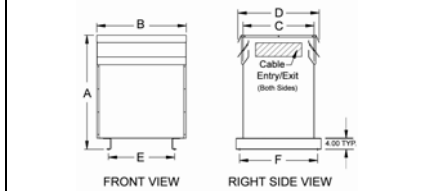
'ST' ENCLOSURE



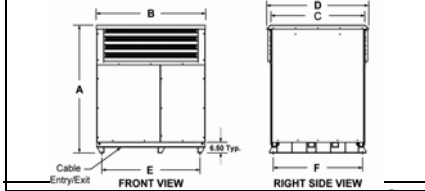
'MT1', 'MT2' ENCLOSURE



'MT3', 'MT4', 'LT' ENCLOSURE



'HT' ENCLOSURE

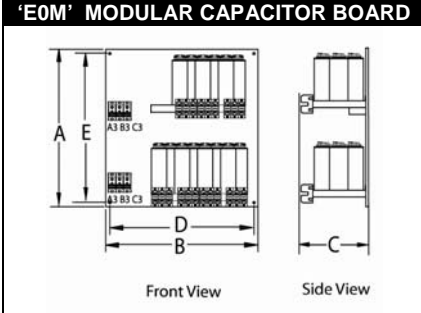
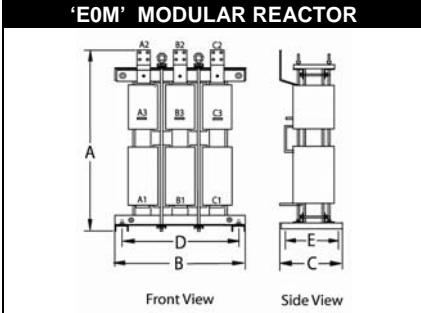
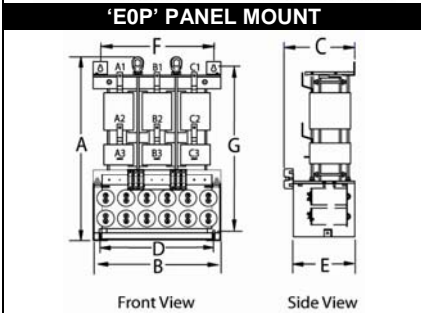
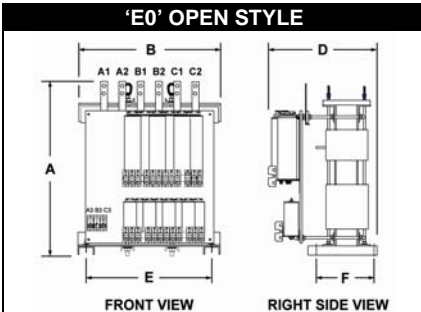


CASE STYLE ENCLOSURE DIMENSIONS - inches [mm]

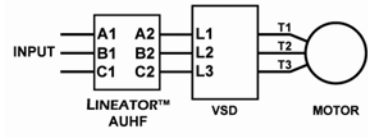
Standard	Enhanced	A	B	C	D	E	F	G
ST1		17.00 [432]	12.00 [305]	10.50 [267]	12.00 [305]	10.00 [254]	8.00 [203]	15.00 [381]
ST2		20.00 [508]	14.00 [356]	12.50 [318]	14.00 [356]	12.00 [305]	10.00 [254]	18.00 [457]
MT1	MT1-E	29.00 [737]	16.75 [425]	15.00 [381]	19.00 [483]	13.75 [349]	13.00 [330]	19.50 [495]
MT2	MT2-E	38.00 [965]	21.50 [546]	19.50 [495]	23.50 [597]	17.00 [432]	17.50 [445]	25.00 [635]
MT3	MT3-E	45.00 [1143]	26.00 [661]	21.00 [534]	25.00 [635]	21.50 [546]	19.00 [483]	
MT4	MT4-E	51.50 [1308]	32.00 [813]	25.50 [648]	29.50 [749]	23.50 [597]	23.50 [597]	
LT1	LT1-E	59.00 [1499]	39.50 [1003]	30.00 [762]	34.00 [864]	24.00 [610]	32.00 [813]	
LT2	LT2-E	66.00 [1677]	44.00 [1118]	34.00 [864]	38.00 [965]	26.00 [660]	36.00 [915]	
LT3	LT3-E	75.00 [1905]	48.50 [1232]	39.00 [991]	43.00 [1092]	27.50 [699]	41.00 [1041]	
HT2	HT2-E	84.00 [2134]	58.50 [1486]	51.00 [1295]	56.25 [1428]	52.50 [1333]	50.75 [1289]	

Motor Size 'EO' Open Style DIMENSIONS - inches [mm]

HP	KW	A	B	C	D	E	Weight Lb [kg]
250	185	26.00 [660]	22.00 [559]	21.00 [533]	20.00 [508]	10.00 [254]	388 [176]
300	200	28.50 [724]	22.00 [559]	22.00 [559]	20.00 [508]	11.00 [279]	452 [206]
350	250	32.00 [813]	25.00 [635]	22.00 [559]	23.00 [584]	12.00 [305]	500 [227]
400	315	33.50 [851]	25.00 [635]	24.00 [610]	23.00 [584]	11.00 [279]	560 [256]
500	400	37.00 [940]	25.00 [635]	25.00 [635]	23.00 [584]	11.50 [292]	680 [309]
600	450	40.00 [1016]	29.00 [737]	25.00 [635]	26.00 [660]	12.00 [305]	820 [373]
700	500	45.00 [1143]	29.00 [737]	27.00 [686]	26.00 [660]	18.00 [457]	1202 [546]
800	560	45.00 [1143]	32.00 [813]	31.00 [787]	28.00 [711]	20.00 [508]	1258 [572]
900	630	45.00 [1143]	36.00 [914]	32.00 [813]	33.00 [838]	22.00 [559]	1326 [603]
1000	710	45.50 [1156]	36.00 [914]	33.00 [838]	33.00 [838]	22.00 [559]	1445 [657]
1100	800	50.00 [1270]	36.00 [914]	33.00 [838]	33.00 [838]	22.00 [559]	1920 [873]
1200	900	60.00 [1524]	39.00 [991]	34.00 [864]	35.00 [889]	22.00 [559]	2060 [936]
1300	970	56.00 [1422]	39.00 [991]	36.00 [914]	35.00 [889]	22.00 [559]	2210 [1005]
1400	1000	56.00 [1422]	39.00 [991]	36.00 [914]	37.00 [940]	24.00 [610]	2330 [1059]



Connection Diagram



Product Code:

AUHF - HP - VVV - Hz - D - En - O

Motor: Horsepower (5 to 2000 HP) or Frequency (50 or 60 Hz) or Load Type (D = Diode Bridge Rectifier, T = Thyristor Bridge Rectifier)

Line Voltage: All standard voltages up to 690 VAC

Enclosure: E0 = No Enclosure, E1 = Nema 2 (5 to 40HP), Nema 3R Ventilated (50 to 2000HP), E1E = Nema 3R Enhanced (50 to 2000HP)

Options: (indicated by 'O')

Motor Size		'EOP' Open Style		DIMENSIONS - inches [mm]					Weight
HP	KW	A	B	C	D	E	F	G	Lb [kg]
5	4	18.25 [464]	9.00 [229]	7.75 [197]	7.75 [197]	4.00 [102]	7.00 [178]	16.75 [425]	46 [21]
7.5	5.5	18.25 [464]	9.00 [229]	7.75 [197]	7.75 [197]	4.00 [102]	7.00 [178]	16.75 [425]	55 [25]
10	7.5	18.25 [464]	9.00 [229]	7.75 [197]	7.75 [197]	4.00 [102]	7.00 [178]	16.75 [425]	66 [30]
15	11	18.25 [464]	9.00 [229]	7.75 [197]	7.75 [197]	4.00 [102]	7.00 [178]	16.75 [425]	78 [36]
20	15	22.75 [578]	11.25 [286]	7.75 [197]	10.00 [254]	5.38 [137]	9.00 [229]	21.25 [540]	104 [47]
25	18.5	22.75 [578]	11.25 [286]	7.75 [197]	10.00 [254]	5.38 [137]	9.00 [229]	21.25 [540]	116 [53]
30	22	22.75 [578]	11.25 [286]	7.75 [197]	10.00 [254]	5.38 [137]	9.00 [229]	21.25 [540]	138 [63]
40	30	22.75 [578]	11.25 [286]	8.50 [216]	10.00 [254]	5.38 [137]	9.00 [229]	21.25 [540]	150 [68]
50	37.5	22.75 [578]	11.25 [286]	8.50 [216]	10.00 [254]	5.38 [137]	9.00 [229]	21.25 [540]	156 [71]
60	45	28.50 [724]	15.50 [394]	10.38 [264]	13.50 [343]	6.50 [165]	13.50 [343]	25.50 [648]	198 [90]
75	55	28.50 [724]	18.00 [457]	10.38 [264]	16.00 [406]	6.50 [165]	16.00 [406]	25.50 [648]	248 [113]
100	75	27.00 [686]	18.00 [457]	10.38 [264]	16.00 [406]	6.50 [165]	16.00 [406]	24.50 [622]	267 [121]
125	90	29.50 [749]	18.00 [457]	10.38 [264]	16.00 [406]	8.00 [203]	16.00 [406]	26.50 [673]	299 [136]
150	110	32.25 [819]	20.00 [508]	12.00 [305]	18.00 [457]	8.00 [203]	18.00 [457]	29.25 [743]	319 [145]
200	150	32.50 [826]	20.00 [508]	13.00 [330]	18.00 [457]	8.00 [203]	18.00 [457]	29.50 [749]	369 [168]

Motor Size		'EOM' Modular Reactor		DIMENSIONS - inches [mm]			Weight
HP	KW	A	B	C	D	E	Lb [kg]
250	185	26.00 [660]	22.00 [559]	13.50 [343]	20.00 [508]	10.00 [254]	334 [152]
300	200	28.50 [724]	22.00 [559]	14.00 [356]	20.00 [508]	11.00 [279]	374 [170]
350	250	32.00 [813]	25.00 [635]	14.50 [368]	23.00 [584]	12.00 [305]	422 [192]
400	315	33.50 [851]	25.00 [635]	14.50 [368]	23.00 [584]	11.00 [279]	443 [201]
500	400	37.00 [940]	25.00 [635]	15.00 [381]	23.00 [584]	11.50 [292]	563 [256]
600	450	40.00 [1016]	29.00 [737]	15.00 [381]	26.00 [660]	12.00 [305]	703 [320]
700	500	45.00 [1143]	29.00 [737]	15.00 [381]	26.00 [660]	13.00 [330]	1066 [485]
800	560	45.00 [1143]	32.00 [813]	16.00 [406]	29.00 [737]	14.00 [356]	1102 [501]
900	630	45.00 [1143]	32.00 [813]	19.00 [483]	29.00 [737]	16.00 [406]	1131 [514]
1000	710	45.50 [1156]	32.00 [813]	19.00 [483]	29.00 [737]	16.00 [406]	1211 [551]
1100	800	50.00 [1270]	34.00 [834]	19.50 [495]	29.00 [737]	16.00 [406]	1686 [766]
1200	900	60.00 [1524]	34.00 [834]	20.50 [521]	29.00 [737]	18.00 [457]	1826 [830]
1300	970	56.00 [1422]	34.00 [834]	21.00 [533]	29.00 [737]	18.00 [457]	1976 [898]
1400	1000	56.00 [1422]	36.00 [914]	21.50 [546]	32.00 [813]	18.00 [457]	2057 [935]
1500	1120	56.00 [1422]	36.00 [914]	22.00 [559]	32.00 [813]	18.00 [457]	2152 [978]
1600	1200	58.00 [1473]	36.00 [914]	22.50 [572]	32.00 [813]	18.00 [457]	2263 [1029]
1800	1350	59.00 [1497]	39.00 [991]	23.50 [597]	34.00 [834]	18.00 [457]	2350 [1068]
2000	1450	65.00 [1651]	39.00 [991]	24.50 [622]	34.00 [834]	18.50 [470]	2424 [1102]

Motor Size		No. of Cap. Boards	'EOM' Modular Capacitor Board		DIMENSIONS - inches [mm]			Weight
HP	KW		A	B	C	D	E	Lb [kg]
250	185	1	21.00 [533]	21.00 [533]	12.50 [318]	19.25 [489]	19.25 [489]	54 [25]
300	200	1	27.00 [686]	21.00 [533]	12.50 [318]	25.25 [641]	19.25 [489]	78 [36]
350	250	1	27.00 [686]	27.00 [686]	12.50 [318]	25.25 [641]	25.25 [641]	78 [36]
400	315	1	27.00 [686]	27.00 [686]	12.50 [318]	25.25 [641]	25.25 [641]	117 [53]
500	400	1	33.00 [838]	27.00 [686]	12.50 [318]	31.25 [794]	25.25 [641]	117 [53]
600	450	1	33.00 [838]	33.00 [838]	12.50 [318]	31.25 [794]	31.25 [794]	117 [53]
700	500	1	33.00 [838]	33.00 [838]	12.50 [318]	31.25 [794]	31.25 [794]	137 [62]
800	560	1	33.00 [838]	33.00 [838]	12.50 [318]	31.25 [794]	31.25 [794]	156 [71]
900	630	1	33.00 [838]	33.00 [838]	12.50 [318]	31.25 [794]	31.25 [794]	195 [89]
1000	710	1	40.00 [1016]	34.00 [864]	12.50 [318]	38.25 [972]	32.25 [819]	234 [106]
1100	800	1	40.00 [1016]	34.00 [864]	12.50 [318]	38.25 [972]	32.25 [819]	234 [106]
1200	900	1	40.00 [1016]	34.00 [864]	12.50 [318]	38.25 [972]	32.25 [819]	234 [106]
1300	970	1	50.00 [1270]	38.00 [965]	13.50 [343]	48.25 [1226]	36.25 [921]	234 [106]
1400	1000	1	50.00 [1270]	38.00 [965]	13.50 [343]	48.25 [1226]	36.25 [921]	273 [124]
1500	1120	2	27.00 [686]	27.00 [686]	12.50 [318]	25.25 [641]	25.25 [641]	117 [53]
1600	1200	2	27.00 [686]	27.00 [686]	12.50 [318]	25.25 [641]	25.25 [641]	117 [53]
1800	1350	1	33.00 [838]	27.00 [686]	12.50 [318]	25.25 [641]	25.25 [641]	195 [89]
		1	27.00 [686]	27.00 [686]	12.50 [318]	25.25 [641]	25.25 [641]	78 [36]
2000	1450	1	33.00 [838]	27.00 [686]	12.50 [318]	25.25 [641]	25.25 [641]	195 [89]
		1	27.00 [686]	27.00 [686]	12.50 [318]	25.25 [641]	25.25 [641]	117 [53]

Notes:

1. Approximate Values.
2. Output kVA rating assumes rectifier loads with distortion power factor < 0.8 before application of the Lineator. If load pf is > 0.8, proportional derating of the output kVA must be applied.
3. For larger sizes and/or other enclosure types contact Mirus.
4. Specifications are subject to change without notice.
5. Lineator sizing is by standard motor HP and kW ratings. Each is capable of supplying the larger of the two ratings.
6. Cable entry is from left or right side only unless otherwise indicated.
7. For additional information refer to: Typical Specifications, Internal Layout and Connection Diagrams.

